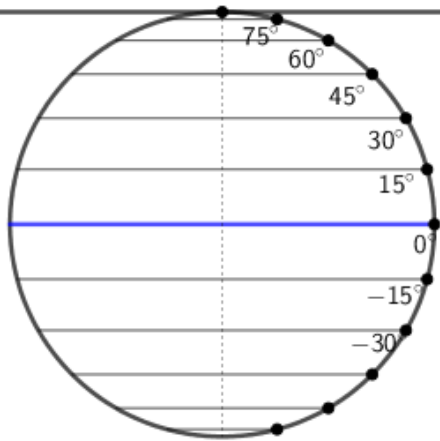
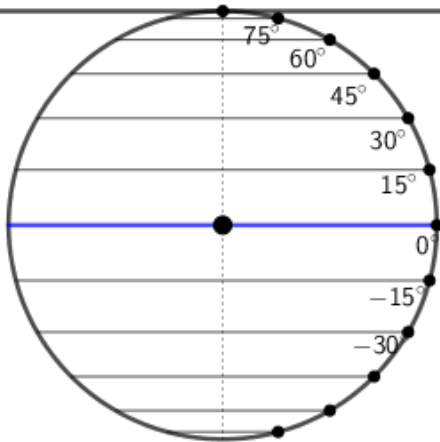


Give the goniometric expressions that describes the projection of a point with latitude λ .

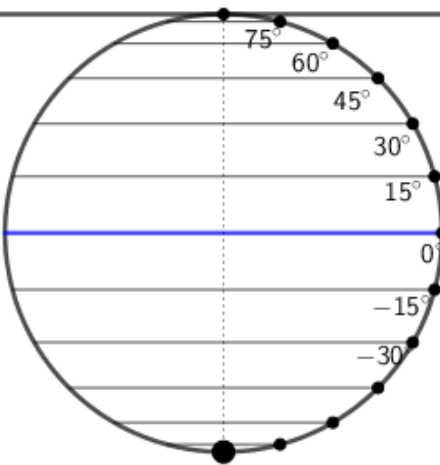
Azimuthal projections



1. Orthographic projection:

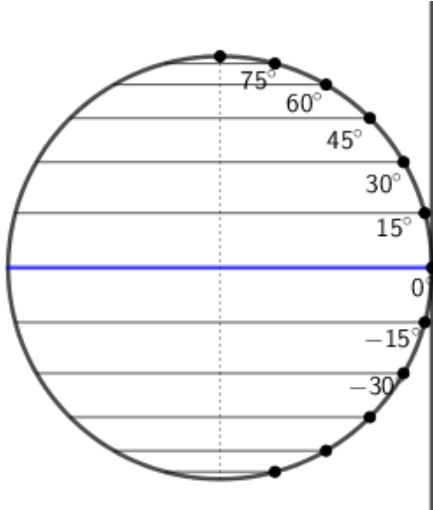


2. Gnomonic projection:

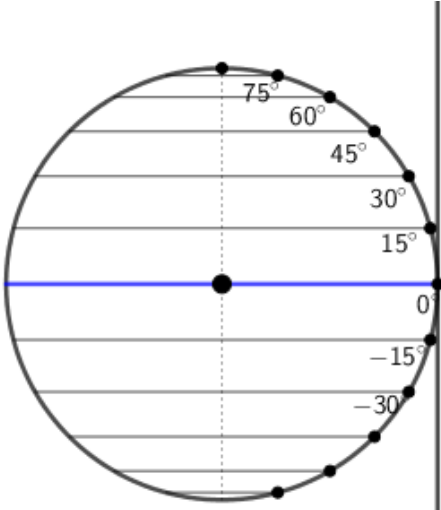


3. Stereographic projection:

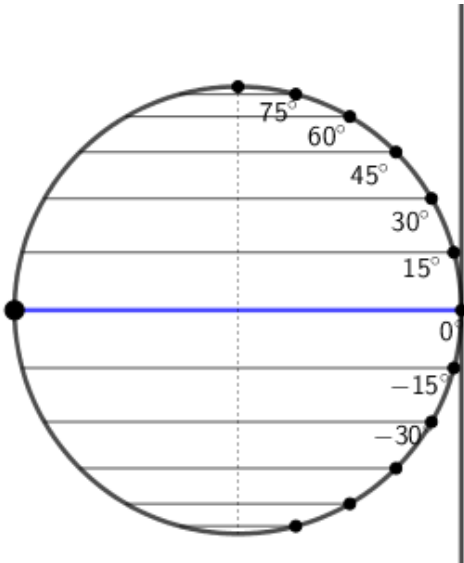
Cylindrical projections



1. Orthographic projection.....



2. Gnomonic projection:



3. Stereographic projection: